

*Air
Logic*®

Pneumatic Components and Systems



**Modular
Precision Regulators
& Manifold Systems**



Introduction to Air Logic

The Air Logic Division of Fred Knapp Engraving Company designs and manufactures a comprehensive line of pneumatic and vacuum control equipment—sensing and input elements, control elements, output interfacing devices and complete air supply systems. The control elements include both fluidic and moving diaphragm control components, each to be used where its own advantages are needed.

Air Logic is a manufacturer of Modular Subminiature Precision Pressure Regulators and Modular Manifold Systems. Ideal for instrumentation, medical and industrial applications.

The modular equipment includes Subminiature Precision Pressure Regulators, Factory Preset Precision Pressure Regulators, Manifold Mounted Precision Pressure Regulators, and a Modular Manifold System.

The Precision Pressure Regulators provide the ultimate in regulation of pressure. The regulators feature excellent repeatability, sensitive 20 turn adjustment and miniature size. Balancing of the valve seat gives an output that virtually is unaffected by changes in supply pressure. Only 0.1 PSI output change with 10 PSI supply change.

The Modular Manifold System allows various combinations of pneumatic accessories to be assembled together.

The unique modular dovetail design allows the regulator or the manifold to be used individually or assembled into a modular combination of Pneumatic Components.

Air Logic manufactures a comprehensive and sophisticated line of pneumatic and vacuum components. Air Logic has a strong reputation for immediate service, quality, and dependability. For special applications and requirements call Air Logic.

Air Logic and *A* are trademarks of Air Logic registered in the United States Patent and Trademark Office.

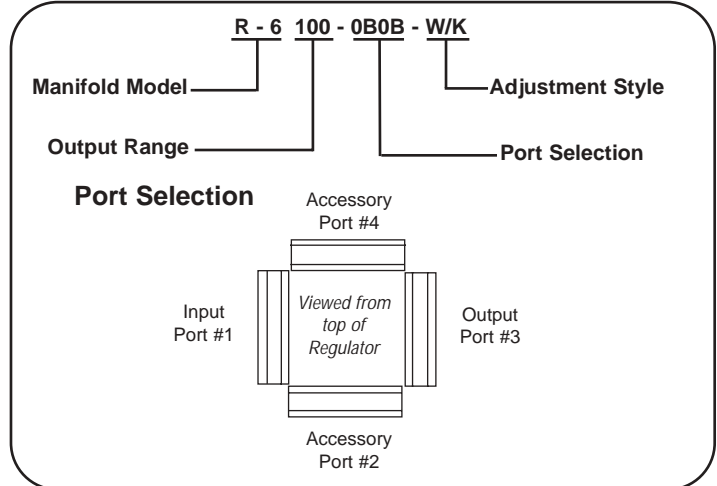
INDEX

	Page
Modular Precision Regulator & Manifold System Overview	2
Subminiature Precision Pressure Regulator	3-4
Preset Precision Pressure Regulator	5-6
Manifold Precision Pressure Regulator	7-8
The Modular Manifold	9-10
Modular Dovetail Accessories	11-12

Regulator Selection Guide

Please Order by model number for output range or specify the preset output range 0.5 to 40 PSI using 100 PSI supply. Specify accessory letters or numbers for the dovetail ports and adjustment style. The regulator is supplied with an *INPUT PORT*, an *OUTPUT PORT*, and two *BLANK PORTS* as standard. Two accessory ports may be ordered. When choosing the port selection the input port is the starting point. The remaining ports are then selected counterclockwise.

Model Number Selection



Adjustment Range

Selection	Adjustment Range	Description
M-5000		Manifold Block
M-5001		Manifold Block With Filters
R-6010	0.5 to 10	Adjustable Manifold Mounted Regulator
R-6030	0.5 to 30	
R-6060	0.5 to 60	
R-6100	0.5 to 100	
PR-6000	Specify Preset Output	Manifold Mounted Preset Regulator
R-7010	0.5 to 10	Adjustable Regulator
R-7030	0.5 to 30	
R-7060	0.5 to 60	
R-7100	0.5 to 100	
PR-7000	Specify Preset Output	Preset Regulator

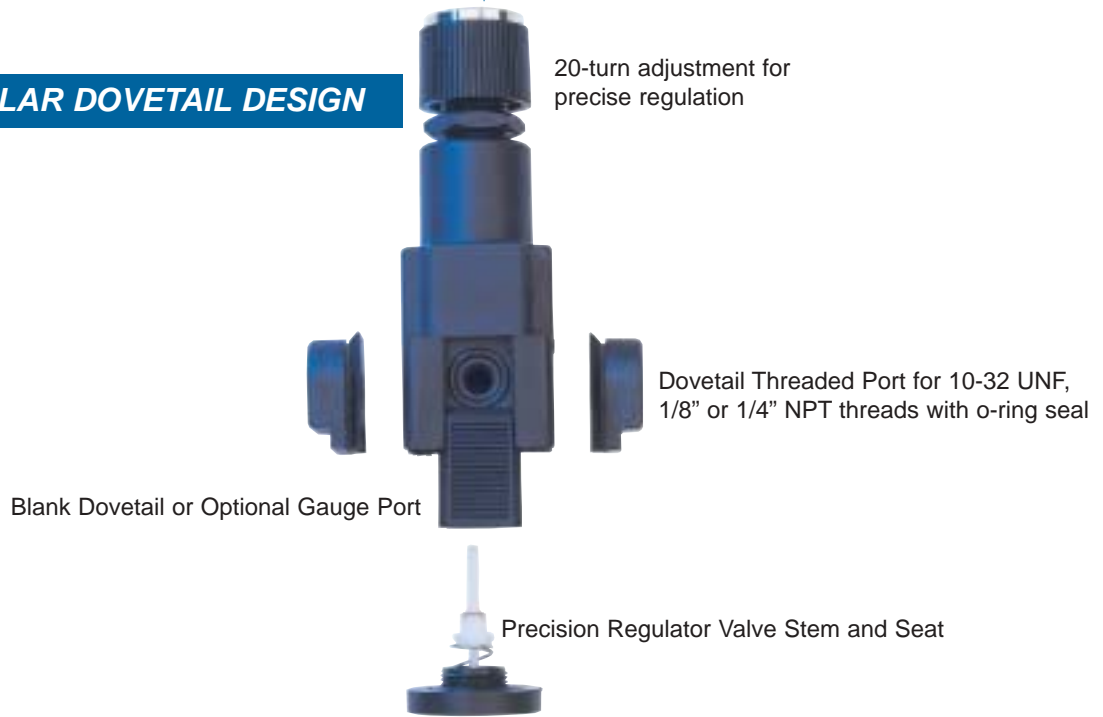
Port Connection

Selection	Accessory Number	Description
Side Ports	0	10-32 UNF Threads
	1	1/8-27 NPT Threads
	2	1/4-18 NPT Threads
	B	Blank Dovetail
	U	Union Dovetail
	C	Connecting Dovetail
	G	1/8-27 NPT Dovetail Gauge Port
	H	1/4-18 NPT Dovetail Gauge Port
	D	0-30 PSI Gauge with Gauge Port
	I	0-60 PSI Gauge with Gauge Port
	J	0-100 PSI Gauge with Gauge Port
	K	0-160 PSI Gauge with Gauge Port
	W	Wall Mounting Dovetail Bracket
Manifold Top Cover	0	10-32 UNF Threads
	1	1/8-27 NPT Threads
	2	1/4-18 NPT Threads
	B	Blank Cover

Modular Precision Regulator & Manifold Systems

PRECISION PRESSURE REGULATOR

UNIQUE MODULAR DOVETAIL DESIGN



UNIQUE MODULAR MANIFOLD DESIGN



R-7000 Series Precision Pressure Regulator



FEATURES

- Modular Dovetail Design
- Excellent Repeatability
- Miniature Size
- Non-Rising Stem
- Low Cost

The **Modular Subminiature Precision Pressure Regulator** is designed for precise regulation of pressure. It is ideal for instrumentation and industrial applications. The pressure regulator has a 20 turn adjustment range from 0.5 to 100 PSI. Maximum supply is 150 PSI. Four adjustment ranges are available: 10 PSI, 30 PSI, 60 PSI and 100 PSI. The standard device is furnished with an adjustment knob and is also available with an extended 1/4" shaft to accept an adjustment knob or furnished with an exposed screwdriver adjustment by which the pressure range can be adjusted.

The **Unique Modular Dovetail** design allows the regulator to be used individually or assembled into a modular combination of pneumatic components.

The **Dovetail Threaded Port** is available with 10-32 UNF, 1/8-27 NPT or 1/4-18 NPT threads. The 1/8" and 1/4" NPT ports contain a brass hoop ring insert designed for added strength.

The **Dovetail Connector** and **Union** allow various combinations of pneumatic components to be joined together. The modular accessories include a pressure gauge and a modular manifold system.

The **Dovetail Connector** is a modular connecting Dovetail Slide with no hole joining two units together with no common air supply.

The **Dovetail Union** is a modular Dovetail Slide with a thru hole joining two units together with a common air supply.

The **Dovetail Gauge Port** is available with 1/8-27 NPT or 1/4-18 NPT threads. The dovetail slide has the word **GAUGE** molded into the slide.

The **Blank Dovetail Slides** are supplied with the regulator when the accessory outputs are not in use.

The Regulator is supplied with an Input Port, Output Port, and two Blank Ports. Two extra accessory Dovetail Ports may be ordered. The accessory ports include various threaded ports, the gauge port, the union, connector or the wall mount bracket.

Patent numbers 5,217,260 & 5,261,447.



UNIQUE MODULAR DOVETAIL DESIGN

SPECIFICATIONS

Adjustment Range: 0.5 to 100 PSI
 Maximum Supply: 150 PSI
 Operating Temperature: 40° to 150° F (4° to 66°C)
 Recommended Filtration: 5 Micron
 Effect of Supply Variation: Within .1 PSI output change with 10 PSI supply change
 Flow Regulator: Maximum flow 5 SCFM with 100 PSI supply
 Repeatability: Within .1 PSI when the supply pressure is turned off and on
 Drift: At 75°F. 0.1 PSI total drift
 Automatic Relief
 Supply Consumption: Within 400 cc/m at 100 PSI supply, with a deadend output

MATERIALS

Housing: Glass filled Celcon
 Adjustment Screw: Carbon Filled Nylon
 Retaining Ring: Carbon Spring Steel
 Stem Assembly: Celcon
 Diaphragm: Buna N, Polyurethane
 Diaphragm Assembly: Celcon
 Springs: Stainless Steel, non-corrosive music wire coated with E coat Epoxy
 O-Rings: Buna N, Silicone Nitrile
 Valve Seat: PVC
 Filter: Stainless Steel 304, Micron size 380
 Manifold Mount Screws: Zinc

PORT CONNECTIONS

Modular Dovetail Slide with 10-32 UNF, 1/8-27 NPT 1/4-18 NPT thread sizes. The 1/8" and 1/4" NPT contain a brass hoop ring insert. During assembly, fittings should be finger tight plus one turn.

ACCESSORY CONNECTIONS

Threaded Dovetail : A Modular Dovetail Slide with 10-32 UNF, 1/8-27 NPT, 1/4-18 NPT thread sizes. The 1/8" and 1/4" NPT contain a brass hoop ring insert. The 1/8" and 1/4" gauge port is available. During assembly fittings should be finger tight plus one turn.

Union Dovetail: A Modular Dovetail Slide with a thru hole joining two units together with a common air supply.

Connecting Dovetail: A Modular Connecting Dovetail Slide with no hole joining two units together with no common air supply.

Gauge Dovetail: A Modular Dovetail Slide with 1/8-27 NPT or 1/4-18 NPT thread sizes. The Dovetail Slide has the word **GAUGE** molded into the slide.

Blank Dovetail: 2 Blank Dovetail Slides are supplied as standard.

MOUNTING

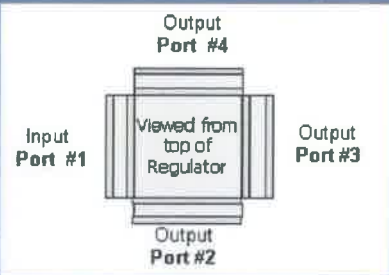
Panel Mount: 9/16" hole for panel mounting, mounting nut furnished. Panel mounting nut should be finger tight plus 1/4 turn.

Base mounting: .115 diameter mounting holes, use 4-40 mounting screws.

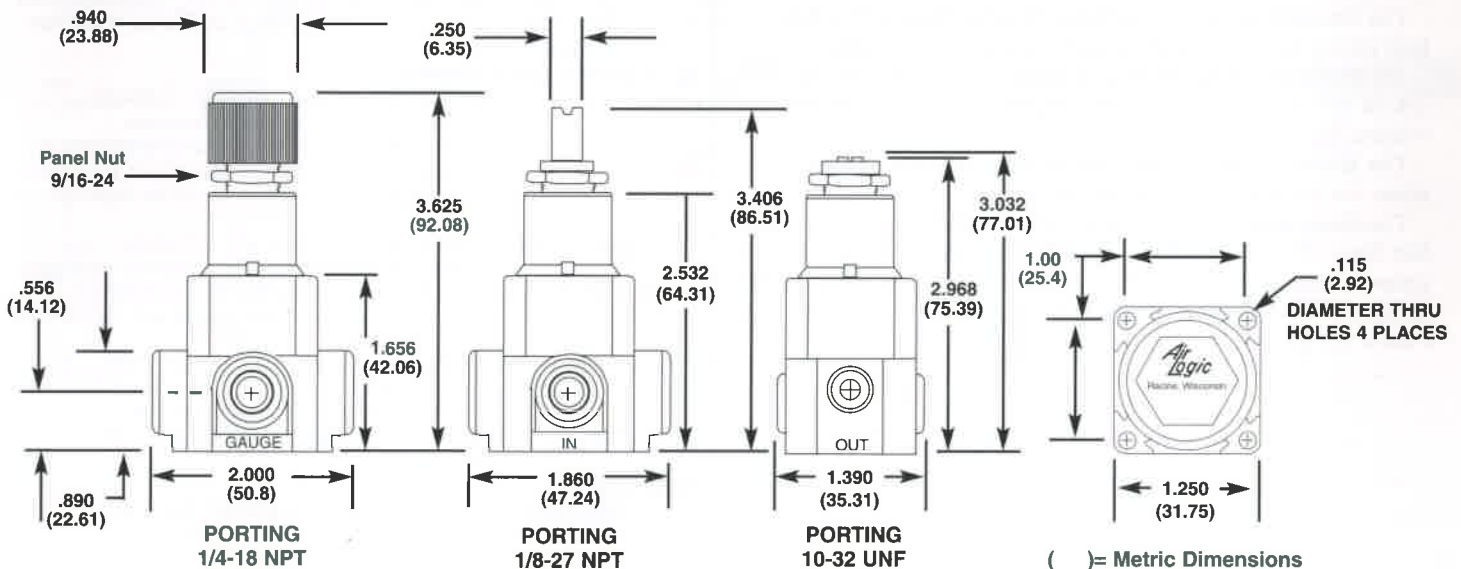
Wall Mount: Modular Dovetail wall mount.

Regulator Selection Guide

ORDERING INFORMATION Order by model number for output range. Specify accessory letters or numbers for the dovetail ports and adjustment style. The regulator is supplied with an *INPUT PORT*, an *OUTPUT PORT*, and two *BLANK PORTS* as standard. Two accessory ports may be ordered. When choosing the port selection the *INPUT PORT* is the starting point. The remaining ports are then selected counterclockwise.

Regulator Part Number Selection Guide							
		R7030	7	S	8	S	WO/S
Model Number	Input Port 1	Regulated Output				Adjustment Style	
		Port 2	Port 3	Port 4			
R7010 0.5 - 10 PSI	0 - 10-32 UNF Threads 1 - 1/8-27 NPT Threads 2 - 1/4-18 NPT Threads 3 - Push-In Fitting for 5/32" O.D. tube 4 - Push-In Fitting for 3/16" O.D. tube 5 - Push-In Fitting for 1/4" O.D. tube					W/K - with adjustment knob	
R7030 0.5 - 30 PSI	6 - Push-In Fitting for 5/16" O.D. tube 7 - Push-In Fitting for 4mm O.D. tube 8 - Push-In Fitting for 6mm O.D. tube B - Blank Dovetail D - 0-30 PSI Gauge with Gauge Port G - 1/8-27 NPT Dovetail Gauge Port H - 1/4-18 NPT Dovetail Gauge Port I - 0-60 PSI Gauge with Gauge Port J - 0-100 PSI Gauge with Gauge Port K - 0-160 PSI Gauge with Gauge Port L - 0-15 PSI Gauge with Gauge Port S - M5 Threads W - Wall Mounting Dovetail Bracket					WO/S - with screw-driver slot adjustment	
R7060 0.5 - 60 PSI						W/S - with 1/4" shaft adjustment	
R7100 0.5 - 100 PSI						W/S - with 1/4" shaft adjustment	

DIMENSIONS



PR-7000 Series Preset Precision Pressure Regulator



FEATURES

- Modular Dovetail Design
- Excellent Repeatability
- Miniature Size

The Modular Precision Preset Regulator is designed to produce a precise output pressure that is preset. The regulator is ideal for instrumentation and industrial applications.

The standard preset model is factory preset to the desired output pressure, 0.5-40 PSI using 100 PSI supply. Specify the supply pressure if the supply is different than 100 PSI.

The Preset Regulator is available with a recessed allen wrench adjustment or a removable adjustment knob.

The **Unique Modular Dovetail** design allows the regulator to be used individually or assembled into a modular combination of pneumatic components.

The **Dovetail Threaded Port** is available with 10-32 UNF, 1/8-27 NPT or 1/4-18 NPT threads. The 1/8" and 1/4" NPT ports contain a brass hoop ring insert designed for added strength.

The **Dovetail Connector** and **Union** allow various combinations of pneumatic components to be joined together. The modular accessories include a pressure gauge and a manifold system.

The **Dovetail Connector** is a modular connecting Dovetail Slide with no hole joining two units together with no common air supply.

The **Dovetail Union** is a modular Dovetail Slide with a thru hole joining two units together with a common air supply.

The **Dovetail Gauge Port** is available with 1/8-27 NPT or 1/4-18 NPT threads. The dovetail slide has the word **GAUGE** molded into the slide.

The **Blank Dovetail Slides** are supplied with the regulator when the accessory outputs are not in use.

The **Regulator** is supplied with an Input Port, Output Port, and two Blank Ports. Two extra accessory dovetail ports may be ordered. The accessory ports include various threaded ports, the gauge port, the union, connector or the wall mount bracket. Patent numbers 5,217,260 & 5,261,447.



UNIQUE MODULAR DOVETAIL DESIGN

SPECIFICATIONS

- Adjustment Range: 0.5 to 40 PSI
- Maximum Supply: 150 PSI
- Operating Temperature: 40° to 150° F (4° to 66°C)
- Recommended Filtration: 5 Micron
- Effect of Supply Variation: Within .1 PSI output change with 10 PSI supply change
- Flow Regulator: Maximum flow 5 SCFM with 100 PSI supply
- Repeatability: Within .1 PSI when the supply pressure is turned off and on
- Drift: At 75°F. 0.1 PSI total drift
- Automatic Relief
- Supply Consumption: Within 400 cc/m at 100 PSI supply, with a deadend output

MATERIALS

- Housing: Glass filled Celcon
- Adjustment Screw: Carbon Filled Nylon
- Retaining Ring: Carbon Spring Steel
- Stem Assembly: Celcon
- Diaphragm: Buna N, Polyurethane
- Diaphragm Assembly: Celcon
- Springs: Stainless Steel, non-corrosive music wire coated with E coat Epoxy
- O-Rings: Buna N, Silicone Nitrile
- Valve Seat: PVC
- Filter: Stainless Steel 304, Micron size 380
- Manifold Mount Screws: Zinc

PORT CONNECTIONS

- Modular Dovetail Slide with 10-32 UNF, 1/8-27 NPT, 1/4-18 NPT thread sizes. The 1/8" and 1/4" NPT contain a brass hoop ring insert. During assembly, fittings should be finger tight plus one turn.

ACCESSORY CONNECTIONS

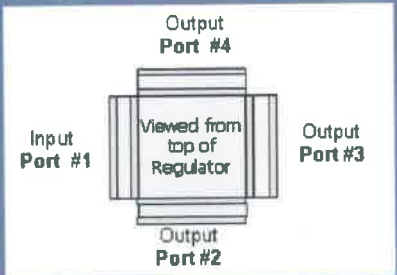
- Threaded Dovetail: A Modular Dovetail Slide with 10-32 UNF, 1/8-27 NPT, 1/4-18 NPT thread sizes. The 1/8" and 1/4" NPT contain a brass hoop ring insert. The 1/8" and 1/4" gauge port is available. During assembly fittings should be finger tight plus one turn.
- Union Dovetail: A Modular Dovetail Slide with a thru hole joining two units together with a common air supply.
- Connecting Dovetail: A Modular Connecting Dovetail Slide with no hole joining two units together with no common air supply.
- Gauge Dovetail: A Modular Dovetail Slide with 1/8-27 NPT or 1/4-18 NPT thread sizes. The Dovetail Slide has the word **GAUGE** molded into the slide.
- Blank Dovetail: 2 Blank Dovetail Slides are supplied as standard.

MOUNTING

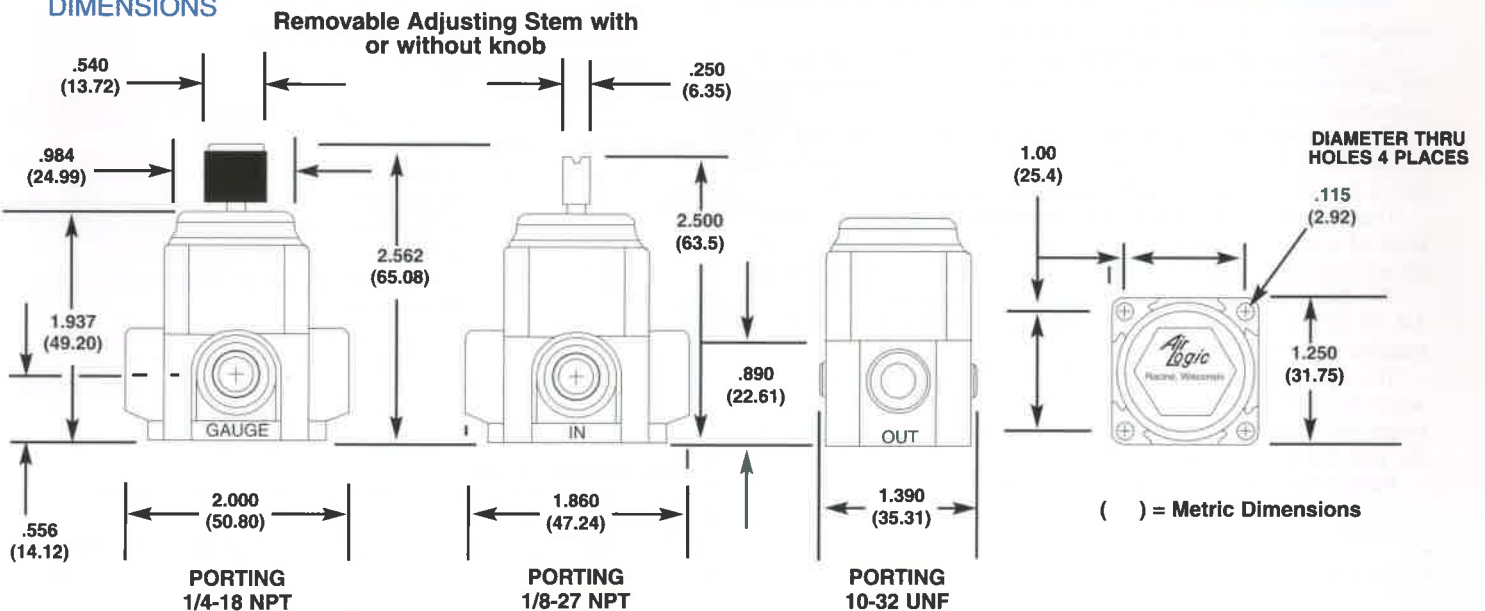
- Base mounting: .115 diameter mounting holes – use 4-40 mounting screws.
- Wall Mount: Modular Dovetail wall mount.

Preset Regulator Selection Guide

ORDERING INFORMATION Order by model number and specify the preset output range 0.5 to 40 PSI using 100 PSI supply. Specify accessory letters or numbers for the dovetail ports and adjustment style. The regulator is supplied with an **INPUT PORT**, an **OUTPUT PORT**, and two **BLANK PORTS** as standard. Two accessory ports may be ordered. When choosing the port selection the **INPUT PORT** is the starting point. The remaining ports are then selected counterclockwise.

Preset Regulator Part Number Selection Guide							
		PR7018	7	D	S	B	W/S
Model Number	Input Port 1	Regulated Output				Adjustment Style	
		Port 2	Port 3	Port 4			
PR7_--- Specify Output 0.5 to 40 PSI	0 - 10-32 UNF Threads 1 - 1/8-27 NPT Threads 2 - 1/4-18 NPT Threads 3 - Push-In Fitting for 5/32" O.D. tube 4 - Push-In Fitting for 3/16" O.D. tube 5 - Push-In Fitting for 1/4" O.D. tube 6 - Push-In Fitting for 5/16" O.D. tube 7 - Push-In Fitting for 4mm O.D. tube 8 - Push-In Fitting for 6mm O.D. tube B - Blank Dovetail D - 0-30 PSI Gauge with Gauge Port G - 1/8-27 NPT Dovetail Gauge Port H - 1/4-18 NPT Dovetail Gauge Port I - 0-60 PSI Gauge with Gauge Port L - 0-15 PSI Gauge with Gauge Port S - M5 Threads W - Wall Mounting Dovetail Bracket					W/K - with adjustment knob W/S - with 1/4" shaft adjustment Allen Wrench Adjustment does not require specification	

DIMENSIONS



R-6000, PR-6000 Series Manifold Mounted Pressure Regulator



FEATURES

- Manifold Mount
- Modular Dovetail Design
- Excellent Repeatability

The Manifold Mounted Precision Pressure Regulators are designed to mount directly on pneumatic circuit boards or manifold subplates. The port connections for the supply and output are located on the base of the manifold mounted series regulator. Two recessed Buna-N o-rings are supplied for sealing the regulator to the manifold.

The Manifold Mounted Regulators are available in two models: **The Adjustable Precision Regulator** has a 20-turn adjustment range from .5 to 100 PSI. Maximum supply is 150 PSI. Four adjustment ranges are available: 10 PSI, 30 PSI, 60 PSI, and 100 PSI.

The Adjustable Regulator is furnished with an adjustment knob and is also available with an extended 1/4" shaft to accept an adjusting knob or furnished with an exposed screwdriver adjustment by which the pressure range can be adjusted.

The Preset Precision Regulator is designed to produce a precise output pressure that is preset at the factory, 0.5 to 40 PSI using a 100 PSI supply.

The preset regulator is available with a recessed allen wrench adjustment or a removable adjustment knob.

The **Unique Modular Dovetail** design allows the regulator to be used individually or assembled into a modular combination of pneumatic components.

The **Dovetail Threaded Port** is available with 10-32 UNF, 1/8-27 NPT or 1/4-18 NPT threads. The 1/8" and 1/4" NPT ports contain a brass hoop ring insert designed for added strength.

The **Dovetail Connector and Union** allow various combinations of pneumatic components to be joined together. The modular accessories include a Pressure Gauge and a modular system.

The **Dovetail Gauge Port** is available with 1/8-27 NPT or 1/4-18 NPT threads. The Dovetail Slide has the word **GAUGE** molded into the slide.

The **Blank Dovetail Slides** are supplied with the regulator when the accessory outputs are not in use. Four blank dovetail slides are standard on the regulator. The supply side is marked **IN**, and the output side is marked **OUT**.

Patent Numbers 5,217,260 & 5,261,447.



UNIQUE MODULAR DOVETAIL DESIGN

SPECIFICATIONS

Adjustment Range: Adjustment Model, 0.5 to 100 PSI
Preset Model, 0.5 to 40 PSI

Maximum Supply: 150 PSI

Operating Temperature: 40° to 150° F (4° to 66°C)

Recommended Filtration: 5 Micron

Effect of Supply Variation: Within .1 PSI output change
with 10 PSI supply change

Flow Regulator: Maximum flow 5 SCFM with 100 PSI supply

Repeatability: Within .1 PSI when the supply pressure is
turned off and on

Drift: At 75°F. 0.1 PSI total drift

Automatic Relief

Supply Consumption: Within 400 cc/m at 100 PSI
supply, with a deadend output

MATERIALS

Housing: Glass filled Celcon

Adjustment Screw: Carbon filled Nylon

Retaining Ring: Carbon Spring Steel

Stem Assembly: Celcon

Diaphragm: Buna N, Polyurethane

Diaphragm Assembly: Celcon

Springs: Stainless Steel, Non-Corrosive music wire
coated with E coat Epoxy

O-Rings: Buna N, Silicone Nitrile

Valve Seat: PVC

Filter: Stainless Steel 304, Micron size 380

Manifold Mount Screws: Zinc

PORT CONNECTIONS

Input and Output Ports are located on the base of the Regulator.

ACCESSORY CONNECTIONS

Threaded Dovetail: A Modular Dovetail Slide with 10-32 UNF, 1/8-27 NPT, 1/4-18 NPT thread sizes. The 1/8" and 1/4" NPT contain a brass hoop ring insert. A 1/8" and 1/4" gauge port is available. During assembly fittings should be finger tight plus one turn.

Union Dovetail: A Modular Dovetail Slide with a thru hole joining two units together with a common air supply.

Connecting Dovetail: A Modular Connecting Dovetail Slide with no hole joining two units together with no common air supply.

MANIFOLD MOUNTING

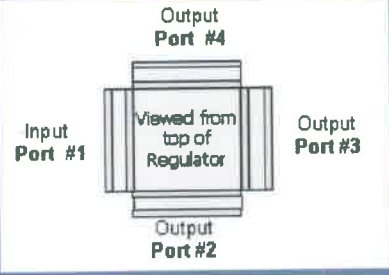
.115 diameter mounting holes - use 4-40 mounting screws

MOUNTING BASE

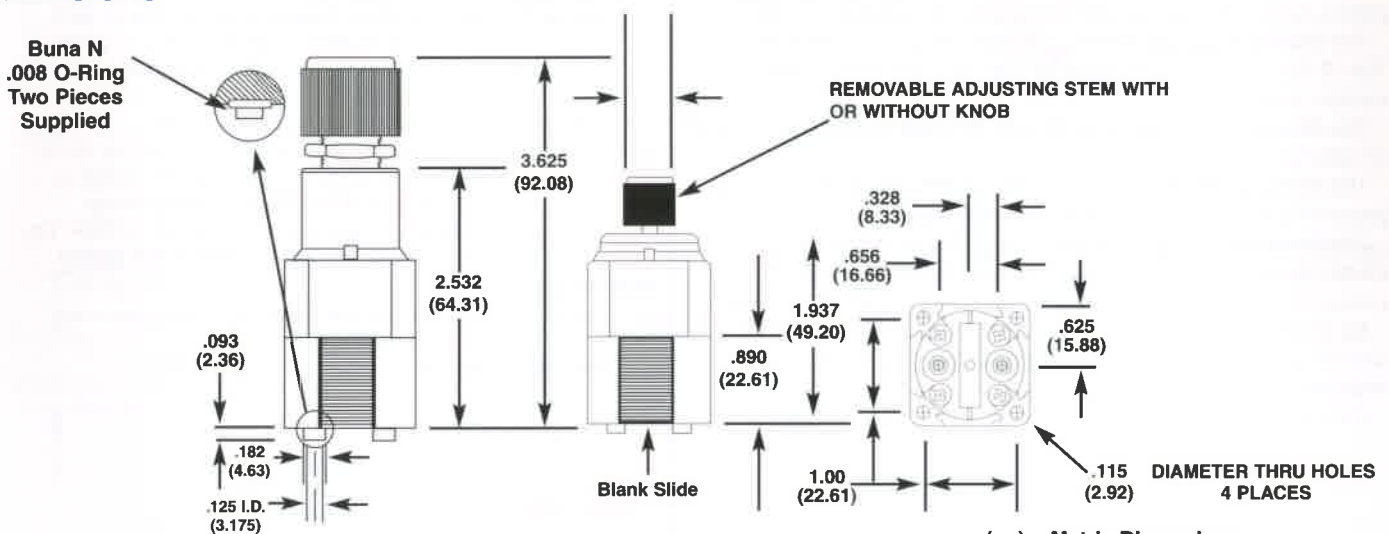
An Air Logic manifold mounting base is available. 10-32 UNF threaded input and output ports.

Manifold Regulator Selection Guide

ORDERING INFORMATION Order by model number for output range or specify the preset output range 0.5 to 40 PSI using 100 PSI supply. Specify accessory letters or numbers for the dovetail ports and adjustment style. The regulator is supplied with an *INPUT PORT*, an *OUTPUT PORT*, and two *BLANK PORTS* as standard. Two accessory ports may be ordered. When choosing the port selection the input port is the starting point. The remaining ports are then selected counterclockwise.

Manifold Mounted Regulator Part Number Selection Guide					
		PR6032 B I B W			
Model Number	Input Port 1	Regulated Output			Adjustment Style
		Port 2	Port 3	Port 4	
R6010 0.5-10 PSI	0 -	10-32 UNF Threads			W/K - with adjustment knob
	1 -	1/8-27 NPT Threads			
	2 -	1/4-18 NPT Threads			W/O/S - with screw-driver slot adjustment
	3 -	Push-In Fitting for 5/32" O.D. tube			
R6030 0.5-30 PSI	4 -	Push-In Fitting for 3/16" O.D. tube			
	5 -	Push-In Fitting for 1/4" O.D. tube			W/S - with 1/4" shaft adjustment
	6 -	Push-In Fitting for 5/16" O.D. tube			
R6060 0.5-60 PSI	7 -	Push-In Fitting for 4mm O.D. tube			
	8 -	Push-In Fitting for 6mm O.D. tube			
	B -	Blank Dovetail			<u>Preset Regulator</u> Allen Wrench Adjustment does not require specification W/K or W/S must be specified
	D -	0-30 PSI Gauge with Gauge Port			
R6100 0.5-100 PSI	G -	1/8-27 NPT Dovetail Gauge Port			
	H -	1/8-18 NPT Dovetail Gauge Port			
	I -	0-60 PSI Gauge with Gauge Port			
	J -	0-100 PSI Gauge with Gauge Port			
	K -	0-160 PSI Gauge with Gauge Port			
	L -	0-15 PSI Gauge with Gauge Port			
	S -	M5 Threads			
PR6_ _ _ Specify Output 0.5-40 PSI	W -	Wall Mounting Dovetail Bracket			

DIMENSIONS



M-5000 Series Modular Manifold



FEATURES

- Modular Dovetail Design
- Miniature Size
- Low Cost

The **Modular Manifold** is designed for instrumentation and industrial applications.

The **Unique Modular Dovetail** design allows the manifold block to be used as an individual unit or assembled into a modular combination of pneumatic components.

The **Modular Manifold** is available in two models. The standard model and the filtered model.

The standard model is unfiltered.

The filtered model contains four stainless steel filters in the side ports. Micron size is 380. The top cover is unfiltered.

The **Manifold Block** contains four individual dovetail slides and one top cover that will accept a various assortment of threaded ports or blanks.

The **Dovetail Threaded Port** and **Top Cover** are available with 10-32 UNF, 1/8-27 NPT, or 1/4-18 NPT threads. The 1/8" and 1/4" NPT ports contain brass hoop ring inserts for added strength.

The **Blank Dovetail Slide** and **Blank Top Cover** are available when porting is not desired.

The **Dovetail Connector** and **Union** allow various combinations of manifold blocks to be assembled together.

The **Dovetail Connector** is a modular connecting dovetail slide with no hole joining two units together with no common air supply.

The **Dovetail Union** is a modular dovetail slide with a thru hole joining two units together with a common air supply.

The **Dovetail Gauge Port** is available with 1/8-27 NPT or 1/4-18 NPT threads. The dovetail slide has the word *GAUGE* molded into the slide.

The **Modular Dovetail Wall Mount Bracket** is available for wall or cabinet mounting.

The **Modular Manifold** system allows various combinations of pneumatic accessories to be assembled together.

The **Pneumatic Accessories** include the modular manifold block, the modular precision pressure and preset regulators, pressure or vacuum switches, and pressure or vacuum gauges.

By combining the pneumatic accessories together pneumatic circuits and systems can be assembled into one Modular Manifold System.

Patent Number 5,217,260.



UNIQUE MODULAR DOVETAIL DESIGN

SPECIFICATIONS

Maximum Supply: 150 PSI

Operating Temperature: 40° to 150° F (4° to 66°C)

Recommended Filtration: 5 Micron

Capacity: 1 Cubic Inch

MATERIALS

Housing: Glass filled Celcon

O-Rings: Buna N, Silicone Nitrile

Filter: Stainless Steel 304, Micron size 380

PORT CONNECTIONS

Modular Dovetail Slide and Top Cover contain 10-32 UNF, 1/8-27 NPT, 1/4-18 NPT thread sizes. The 1/8" and 1/4" contain a brass hoop ring insert. During assembly fittings should be finger tight plus one turn.

ACCESSORY CONNECTIONS

Threaded Dovetail: A Modular Dovetail Slide with 10-32 UNF, 1/8-27 NPT, 1/4-18 NPT thread sizes. The 1/8" and 1/4" gauge port is available.

Union Dovetail: A Modular Dovetail Slide with a thru hole joining two units together with a common air supply.

Connecting Dovetail: A Modular Connecting Dovetail Slide with no hole joining two units together with no common air supply.

Blank Dovetail: A Blank Dovetail Slide is supplied when the port is not in use.

Gauge Dovetail: A Modular Dovetail Slide with 1/8-27 NPT or 1/4-18 NPT thread sizes. The Dovetail Slide has the word *GAUGE* molded into the slide.

Top Cover: The top cover is available in various combinations, 10-32 UNF, 1/8-27 NPT or 1/4-18 NPT thread sizes. The 1/4" and 1/8" contain a brass hoop insert. During assembly fittings should be finger tight plus one turn. A Blank Top Cover is available when porting is not desired.

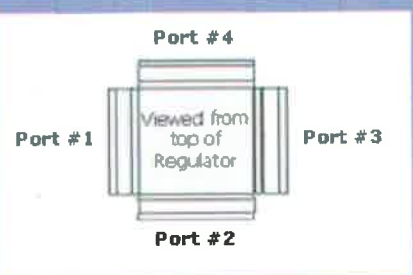
MOUNTING

Base mounting: .115 diameter mounting holes - use 4-40 mounting screws

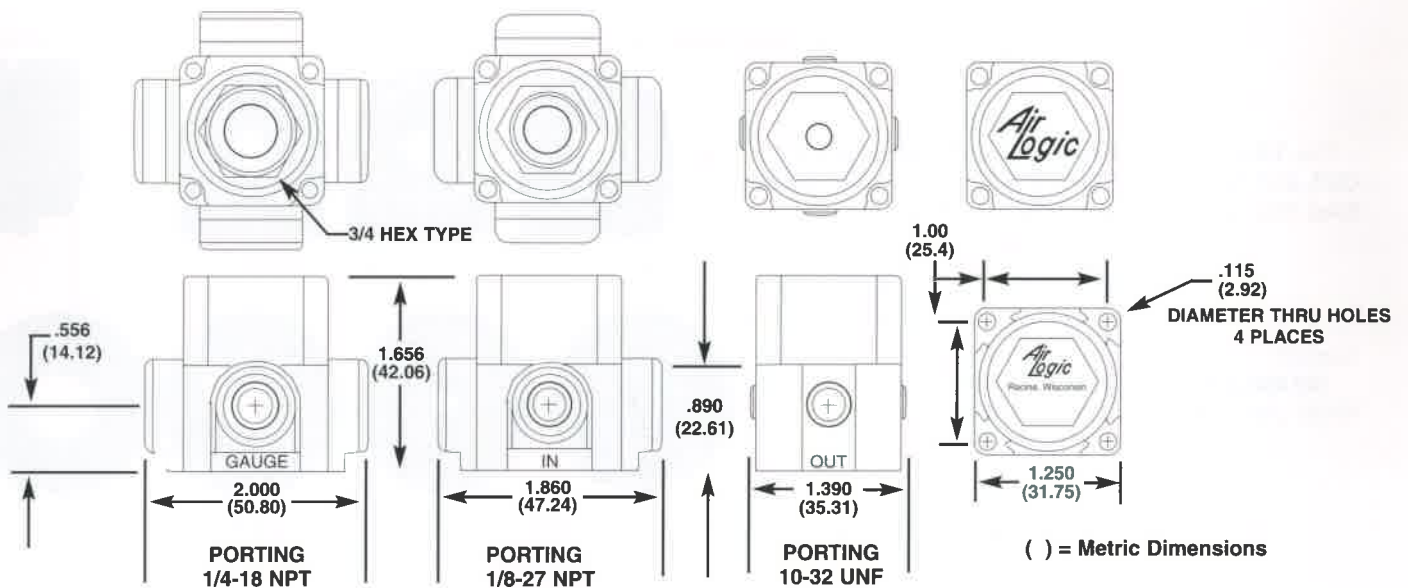
Wall Mount: Modular Dovetail wall mount

Modular Manifold Selection Guide

ORDERING INFORMATION Order by model number. Specify accessory letters or numbers for the dovetail ports and top cover port. When choosing the port selection *PORT #1* is the starting point. The remaining ports are then selected counterclockwise.

Modular Manifold Part Number Selection Guide					
					
M5000 B J 5 1 2					
Model Number	Port 1	Port 2	Port 3	Port 4	Top Cover
M5000 Standard Model	0 -	10-32 UNF Threads			0 - 10-32 UNF Threads 1 - 1/8-27 NPT Threads 2 - 1/4-18 NPT Threads
	1 -	1/8-27 NPT Threads			
	2 -	1/4-18 NPT Threads			
	3 -	Push-In Fitting for 5/32" O.D. tube			
	4 -	Push-In Fitting for 3/16" O.D. tube			
	5 -	Push-In Fitting for 1/4" O.D. tube			
	6 -	Push-In Fitting for 5/16" O.D. tube			
	7 -	Push-In Fitting for 4mm O.D. tube			
	8 -	Push-In Fitting for 6mm O.D. tube			
	B -	Blank Dovetail			
M5001 Filtered Model	D -	0-30 PSI Gauge with Gauge Port			2 - 1/4-18 NPT Threads B - Blank Cover
	G -	1/8-27 NPT Dovetail Gauge Port			
	H -	1/4-18 NPT Dovetail Gauge Port			
	I -	0-60 PSI Gauge with Gauge Port			
	J -	0-100 PSI Gauge with Gauge Port			
	K -	0-160 PSI Gauge with Gauge Port			
	L -	0-15 PSI Gauge with Gauge Port			
	S -	M5 Threads			
	W -	Wall Mounting Dovetail Bracket			

DIMENSIONS



Modular Dovetail Accessories

The **Modular Dovetail Accessories** are designed for the Adjustable Pressure Regulator, the Preset Pressure Regulator, the Manifold Mounted Pressure Regulator, and the Modular Manifold System.

The **Unique Modular Dovetail** design allows the regulator or the manifold to be used individually or assembled into a modular combination of Pneumatic Components.

The **Modular Dovetail Slides** are sealed with a Buna N o-ring to prevent leaking. The dovetail slides are locked in place by the bottom hex cover.

The **Blank Dovetail Slides** are used when porting is not desired. Four blank dovetail slides are standard on the manifold regulator. The supply side is marked "IN" and the output side is marked "OUT".



The **Dovetail Union and Connector** allow various combinations of regulators and manifold blocks to be assembled together.

The **Union Dovetail** contains a thru hole joining two units together with a common air supply.

The **Connecting Dovetail** contains no thru hole, but joins two units together with no common air supply.



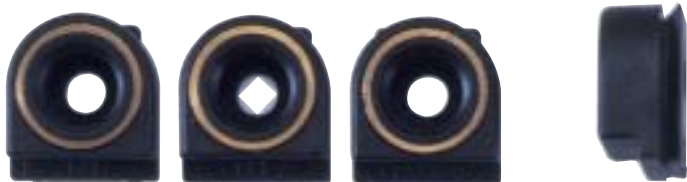
The **10-32 UNF Threaded Dovetail Slides** have an IN and an OUT.



The **1/8-27 NPT Threaded Dovetail Slides** have an IN, OUT, and a GAUGE Port. The 1/8" NPT port contains a brass hoop ring insert designed for added strength.



The **1/4-18 NPT Threaded Dovetail Slides** have an IN, OUT, and Gauge Port. The 1/4" NPT ports contain a brass hoop ring insert designed for added strength.



The **Manifold Top Cover** is available with blank port, 10-32 UNF, 1/8-27 NPT and 1/4-18 NPT.



The **Manifold Mounting Base Plate** is designed for testing and evaluating the manifold mounted precision regulator. The mounting base has 10-32 UNF threaded input and output ports. Part Number 7-MMB



The **Modular Dovetail Wall Mount Bracket** is available for wall or cabinet mounting.



The **Subminiature Pressure Gauges** are available with a miniature 7/8" dial and 1/8" NPT back mount.

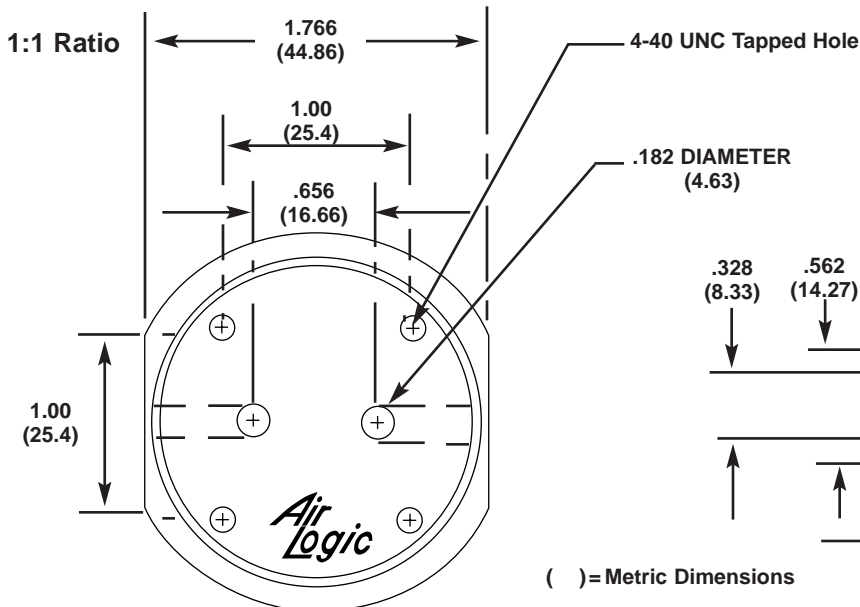


The **Subminiature Pressure Switches and Vacuum Switches** are available with a 1/8" NPT pipe thread mount. The accessories are designed for the 1/8" NPT Threaded Dovetail Slide.



DIMENSIONS

MANIFOLD MOUNTING BASE



WALL MOUNT BRACKET

