

How To Order

Valves:

V 2 B 04 - B Z 0 - T1

Product Category

V = Valve

Family

2 = Isonic® 2000

Orifice Size

A = 0.025" (0.6mm) (only available on NC)

B = 0.035" (0.9mm)

C = 0.055" (1.4mm)

Flow Pattern

02 = 2-Way Normally Closed

03 = 3-Way Normally Open

04 = 3-Way Normally Closed

05 = Vacuum (3-Way) Normally Closed

06 = Vacuum (2-Way) Normally Closed

07 = Vacuum (3-Way) Normally Open

Options

T1 = Tapped Exhaust (10-32)

T2 = Tapped Exhaust (M5x0.80)

LED

0 = No LED (only available with connector Z)

1 = LED standard (not available with connector Z)

Connector

W = Mini Quick Connect (with electronic board)
Required for Manifold

X = 8mm Micro DIN (with board)

Connector not included

Y = Flying Lead (with board)

Z = Flying Lead (no board - DC only)

Solenoid Voltage

A = 12 DC

B = 24 DC

D = 24 50/60 Hz AC

F = 120 50/60 Hz AC

Manifolds:

M 2 B 08 1 1

Product Category

M = Manifold

Family

2 = Isonic® 2000

Inlet Tube Size

A = 1/4" OD Tube Collets

B = 6mm OD Tube Collets

Options

0 = No cable or connector

5 = With 5.0m cable and connector

Manifold Accessories

0 = Manifold only

1 = DIN Rail clips mounted on Manifold

2 = Manifold mounted on DIN Rail

Number of Stations

04 = 4 Station

08 = 8 Station

Note: Outlet tube size is 5/32" (4mm) OD Tube Collet

Accessories:

Electrical Connectors

8mm Micro DIN ConnectorP1D1

8mm Micro DIN Connector (molded, pre-wired) . . P1D2 (includes 39"/ 1m leads)

Mini Quick-ConnectP1Q1 (includes 18"/ 45cm leads; contact factory for longer lengths)

Manifold Accessories

35mm DIN Mounting Rail P4M1-x (where x = desired number of feet of DIN Rail)

35mm DIN Rail End StopsP4S1 (note: two required per Manifold)

Manifold Blocking PlugP2B1 (for blocking empty Manifold stations)

5.0m Cable and 9 Pin Connector P5-09SDC

Miscellaneous

10-32 Muffler MM-019 (to silence exhaust in 10-32 exhaust port)

Port Adapter P1SA1 (converts 5/32" port to 1/4" barb OD tube)

Port Adapter P1SA2 (converts 5/32" port to 1/4" push-to-connect OD tube)

Reference

Control Valves

Cylinders

Specialty Valves

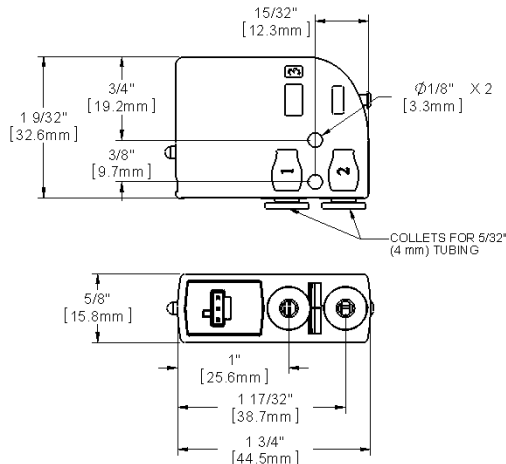
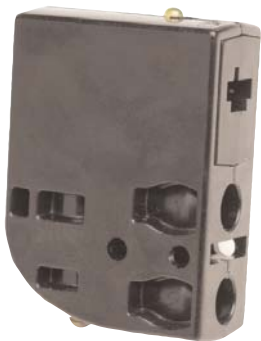
Production Devices

Accessories

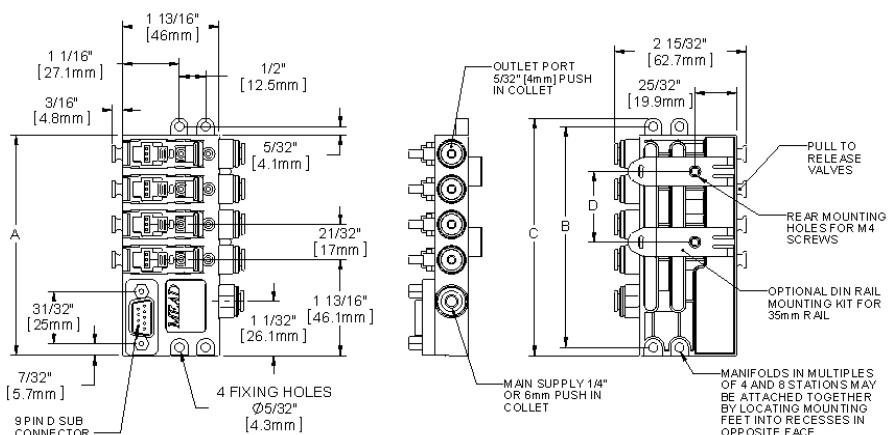
Index

Dimensions

Valves



Manifolds

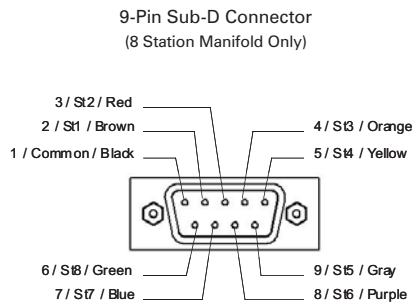
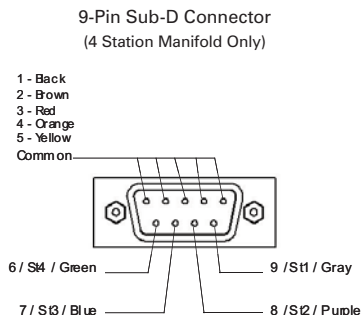


Manifold	A	B	C	D
4	4-3/16	4-3/16	4-1/2	1-11/32
Station	[106.3]	[106.3]	[114.3]	[34]
8	6-7/8	6-7/8	7-13/32	4-1/32
Station	[174.3]	[174.3]	[188.3]	[102]

Note: Dimensions in inches [mm]

Manifold D-Sub Wiring

First numbers are the pin numbers. Center information refers to station. Colors are the wire color of Mead accessories



Specifications—Normally Closed Version

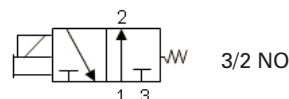
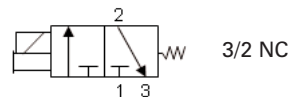
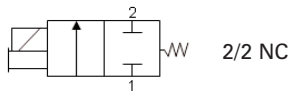
Design :	Poppet
Media:	Air or Inert Gas
Lubrication:	None Required
Filtration:	40 micron
Cycle Life*:	50,000,000 cycles
Orifice Size:	A: 0.025" / .65mm B: 0.035" / .90mm C: 0.055" / 1.40mm
Flow:	A: 0.01 C _v B: 0.02 C _v C: 0.05 C _v
Maximum Pressure:	A: 120 PSI / 8.3 Bar B: 120 PSI / 8.3 Bar C: 30 PSI / 2.1 Bar
Vacuum:	To 28 in Hg
Temperature Range:	0° – 120°F / -18 – -49°C
Tubing:	5/32" or 4mm
Mounting Holes:	0.156" diameter (2 holes)
Seals:	Viton® and Nitrile
Weight:	1.5 oz. (per valve)

Specifications—Normally Open Version

Design :	Poppet
Media:	Air or Inert Gas
Lubrication:	None Required
Filtration:	40 micron
Cycle Life*:	10,000,000 cycles
Orifice Size:	B: 0.035" / 0.90mm C: 0.055" / 1.40mm
Flow:	B: 0.02 C _v C: 0.05 C _v
Maximum Pressure:	B: 90 PSI / 6.2 Bar C: 25 PSI / 1.6 Bar
Vacuum:	To 28 in Hg
Temperature Range:	0° – 120°F / -18 – -49°C
Tubing:	5/32" or 4mm
Mounting Holes:	0.156" diameter (2 holes)
Seals:	Viton® and Nitrile
Weight:	1.5 oz. (per valve)

* Tested under typical industrial operating conditions; for extended operation at environmental extremes (temperature, etc.) consult Mead.

Valve Symbols



Solenoid Data

Voltage	1 2DC	24DC	24AC	1 20 AC
Amps	0.133	0.058	0.058	0.014
Resistance	92Ω	406Ω	406Ω	8350Ω
Initial Power	1.6W	1.4W	1.4W	1.7W
Continuous On	1.3W	1.2W	1.2W	1.5W

Response Time: 10 milliseconds

Molex Connector: UL and CSA Listed

DIN Connector: Protection Class- IP 65 according to DIN 40 050
Insulation Class- Group C according to VDE 0110
Conform to DIN 43650 Form C Specifications

Manifold

Common Air Inlet: Built-in, push-in fittings for 1/4" OD or 6mm tubing

Rear Mounting: 2 Holes for M4 screws

DIN Rail Mounting: Attaches to 35mm DIN Rail

Accessories



P2B1



P4M1-x



P5-09SCD



P1SA1



P1SA2



P1Q1

NOTE: (1) pc. is included with each "W" type valve. 24 AWG wire



P4S1